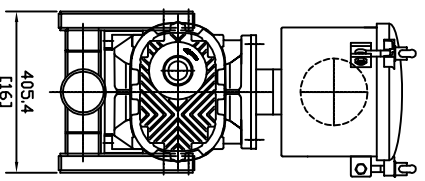
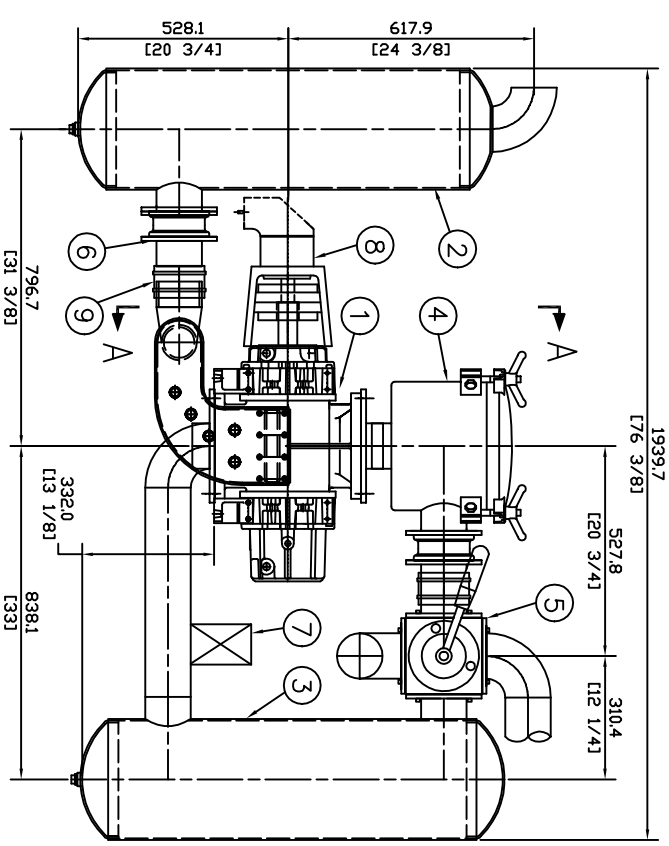
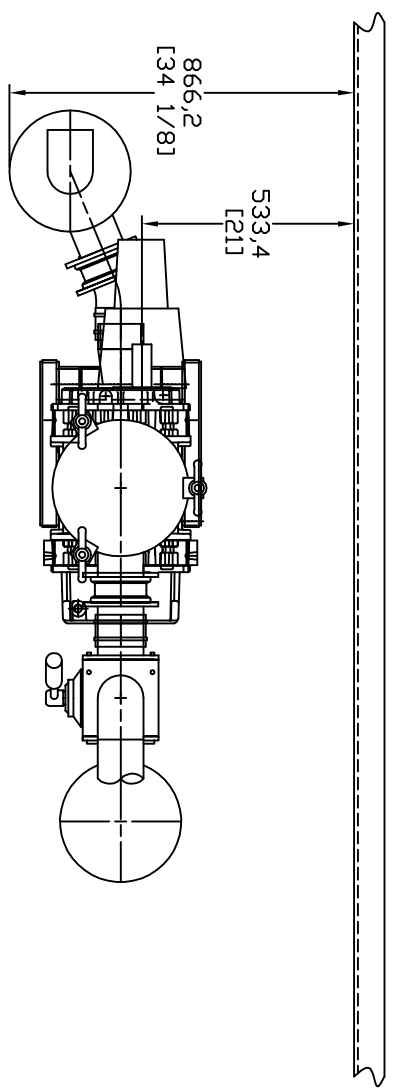


BILL OF MATERIALS	
1	1 RB-DV65/V MANIFOLD
2	1 INLET SILENCER $\phi 12'' \times 41''$
3	1 DISCHARGE SILENCER $\phi 12'' \times 42''$
4	1 FILTER
5	1 4-WAY VALVE AND PIPING ASS'Y
6	2 4" CHECK VALVE
7	1 RELIEF VALVE 2" 14-405 SET 14 PSIG
8	1 MOTOR HYDRAULIC
9	2 FLEX CONNECTOR



SECTION A-A



Surpresseur 4S
 108, rue BEAUVAIS, DELSON (QUEBEC), J8B 1W8
 TEL: (450) 638-9563, FAX: (450) 638-9562

TITLE: GENERAL ARRANGEMENT
 CUSTOMER: -
 PROJECT #: -

DRAWN BY: V.B.
 CHECKED BY: D.L.
 DATE: 31/09/2004

SCALE: REF. -
 SHEET #: 1/1
 DRAWING #: RBDV-65-V-JUGGLER
 REV. 0