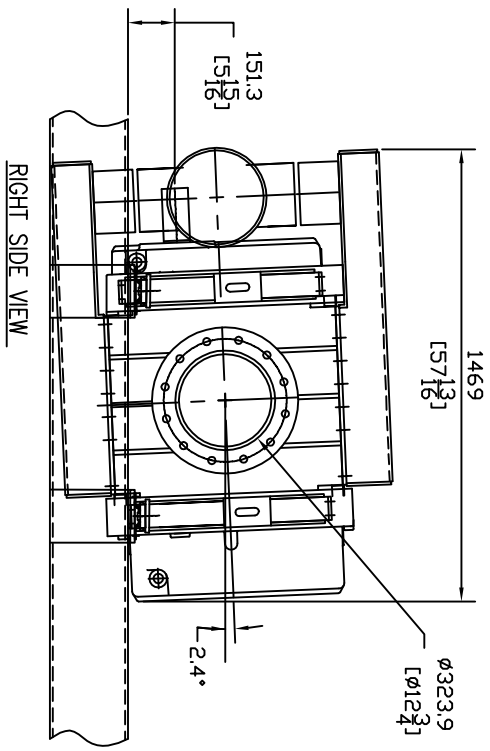
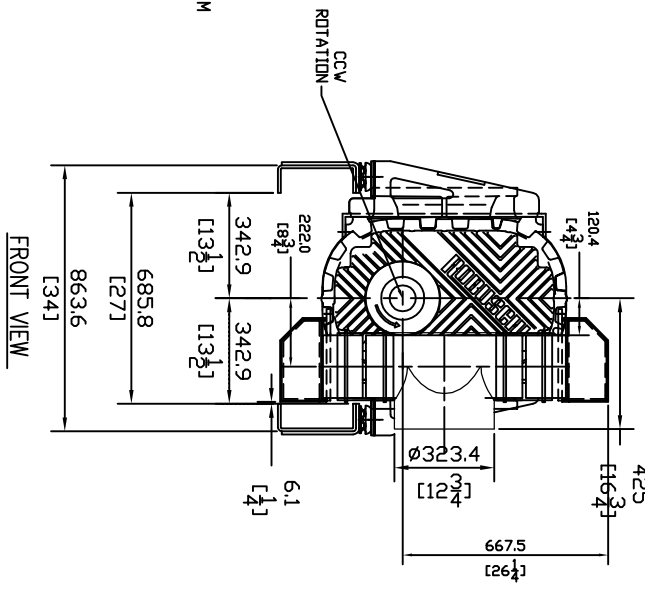
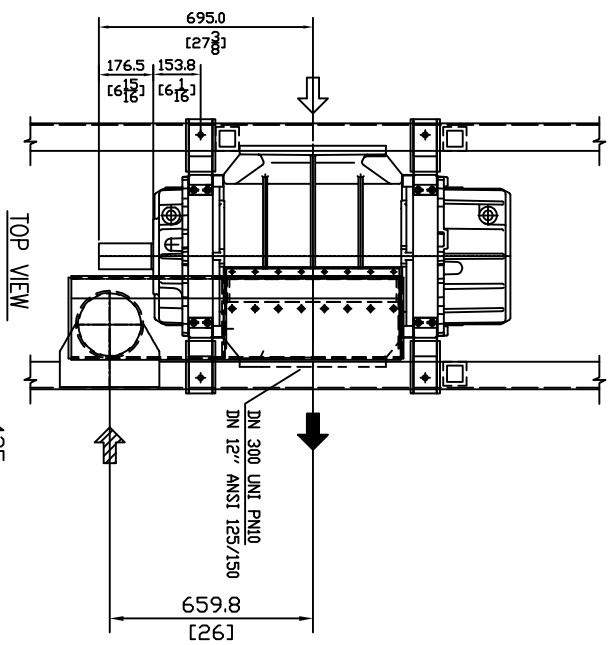


RB-DV 145/H  
 BLOWER DRY VACUUM

⇐ INLET  
 ⇨ DISCHARGE  
 ↗ AIR INJECTION



PROPRIETARY NOTICE  
 THIS DRAWING AND ALL THE INFORMATION THEREON IS THE PROPERTY OF "SUPPRESSEUR 4S"  
 THIS DRAWING IS NOT TO BE COPIED OR USED FOR ANY PURPOSE EXCEPT BY WRITTEN CONSENT OF "SUPPRESSEUR 4S"

PROJECT:			
SCALE:	1:10		
DRAWN BY:	V.B.	CHECKED BY:	D.L.
SHEET #:	1/1	DRAWING #:	RBDV145_GA_TYP
DATE:	3.12.2009	PROJECT #:	-
<b>SUPPRESSEUR 4S</b> 108 BEAUVANS DELSON JSB 1W8 TEL: (450) 638-9563, FAX: (450) 638-9562			
TITLE: GENERAL ARRANGEMENT / RBDV-145/H			

REV. 0