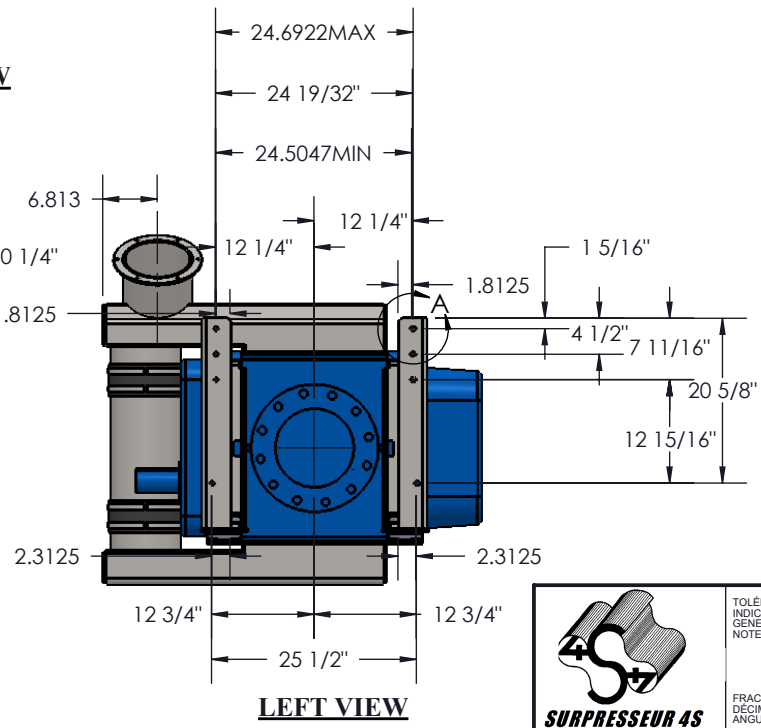
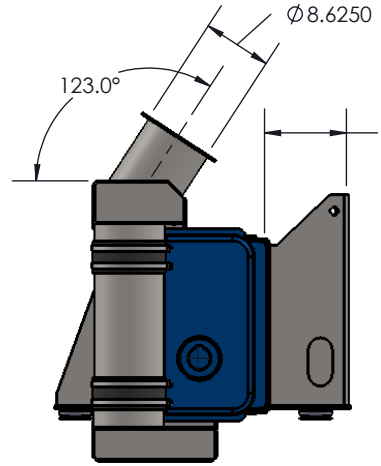
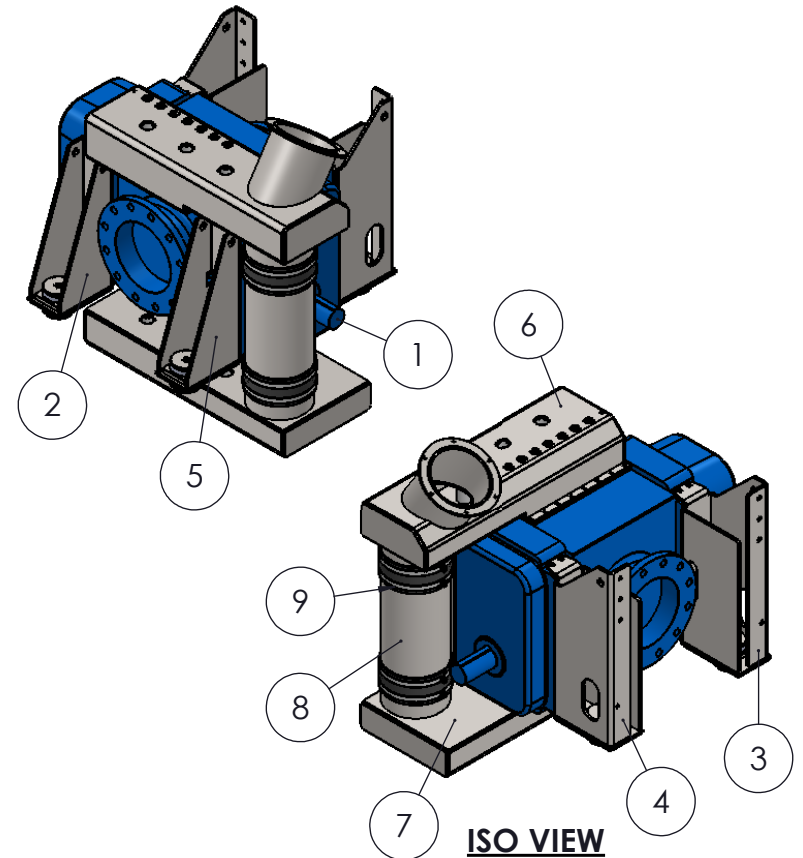
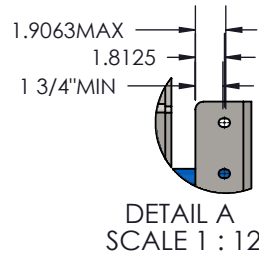
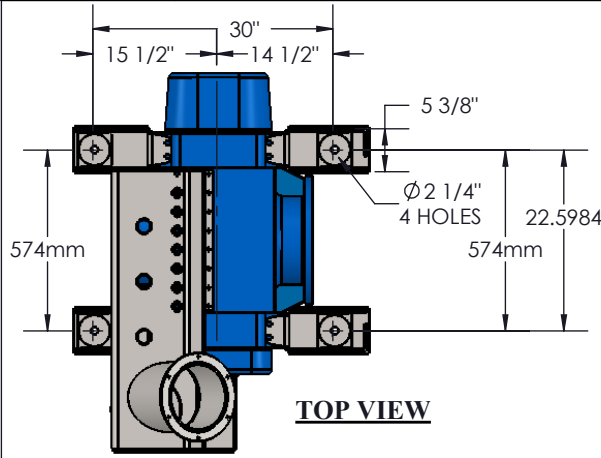


ITEM NO.	PART NUMBER	DESCRIPTION	MATERIAL	WEIGHT	QTY.
1	RBDV125-BODY_CW	BLOWER ROBUSCHI RB-DV-125	CAST IRON	1331	1
2	P_125_RL	SUPPORT REAR LEFT	PLAIN CARBON STEEL	43.40	1
3	P_125_RR	SUPPORT REAR RIGHT	PLAIN CARBON STEEL	69.46	1
4	P_125_FR	SUPPORT FRONT RIGHT	PLAIN CARBON STEEL	69.45	1
5	P_125_FL	SUPPORT FRONT LEFT	PLAIN CARBON STEEL	43.37	1
6	MTS-125_TOR & FM	MTS-125_TOR & FM	PLAIN CARBON STEEL	143	1
7	MBS-125_TOR & FR	MBS-125_TOR & FR	PLAIN CARBON STEEL	160	1
8	PIPE_DN8_17LG	PIPE O.D.8 5/8" X I.D.8 1/8"-17"LG.	PLAIN CARBON STEEL	31.51	1
9	8.625in_Flex.con.&clam_4LG	DN8x4LG EXPANSION JOINT & CLAMPS HS152	EPDM	3	2
10	TF-10040_ASS_125	PASCALOX VIBRATION ISOLATOR	BLACK NATURAL RUBBER	5	4



TOLÉRANCES GÉNÉRALES, SAUF INDICATION CONTRAIRE
GENERAL TOLERANCES, UNLESS NOTED OTHERWISE

IMPÉRIAL	MÉTRIQUE
FRACTION: ±1/16"	±0.20mm
DECIMAL/DECIMAL: ±0.015"	±0.5mm
ANGULAIRE/ANGLE: ±1°	±1°

CE Dessin est la propriété exclusive de SUPRESSEUR 4S
THIS DRAWING IS THE EXCLUSIVE PROPERTY OF SUPRESSEUR 4S

CONCEPTEUR / DESIGNER V.B./S.S.	DATE 2015/03/06
VERIFIÉ PAR / CHECKED BY D.L.	DATE 2015/03/06
ECHELLE / SCALE: 1:24	FORMAT A

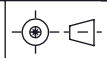
Description :
RB-DV-125
GENERAL ARRANGEMENT

Référence / References : --

Trailer par / Process by : ASSY

Poids / Weights : 3881.28635

101, DE L'ISERE CANDIAC, QUÉ. CANADA
J5R 0M6, TEL.: 450-619-6363, FAX.: 450-619-9696



DESSIN NO / DRAWING NO : **RBDV-125_MAN_&_SUP_F**

FEUILLE SHEET 1/2	Rev 0
----------------------	-----------------